



TIM5

Materials & metallurgical inspection microscope

for inspection & analysis of a wide range of materials

- Range of illumination techniques permit a variety of analysis methods
- Modular design, with a wide range of accessories
- Bright and dark field plan achromatic objectives up to 100x
- Total magnification up to 1000x, with supplied eyepieces



FM 557119

Vision Engineering Inc. has been certified for the quality management system ISO 9001:2008.

Materials & metallurgical inspection microscope

Whether you want to inspect alloys, plastics, ceramics, or other materials, the TIM5 routine inspection microscope allows both beginners and advanced users to achieve detailed analysis of a wide range of material subjects.

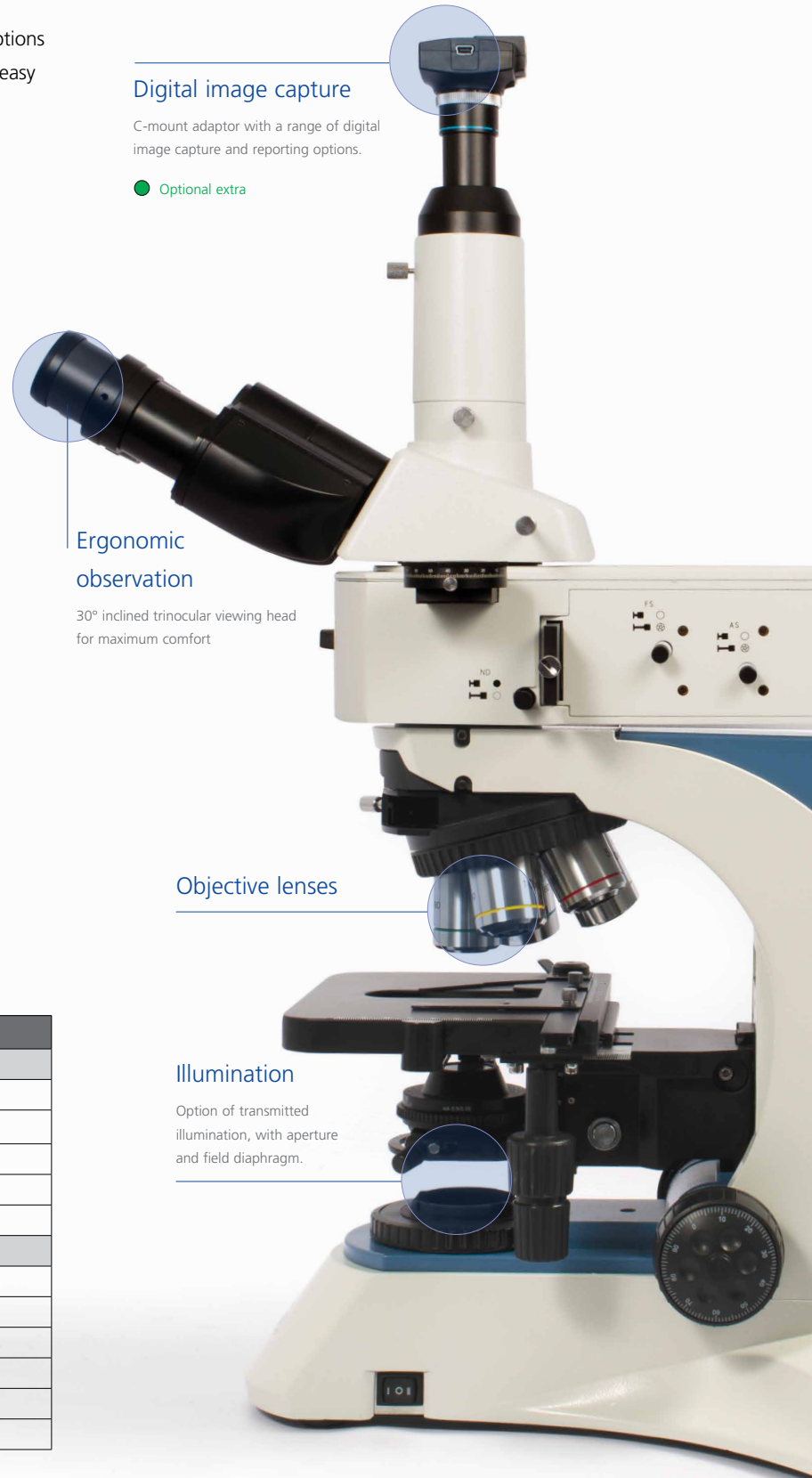
With excellent optical performance and a range of illumination options including brightfield, darkfield and polarized light, TIM5 makes it easy to observe, inspect and analyze a wide range of materials.

- Effortless observation of a wide range of materials
- Total magnification up to 1000x
- Infinity plan achromatic objective options up to 100x.
Choice of:
 - Brightfield objectives or
 - Combined brightfield & darkfield objectives.
- Choice of illumination:
 - Incident illumination for viewing opaque samples.
 - The addition of transmitted illumination enables viewing of translucent, or transparent subjects.
- Wide range of options included as standard.
- Modular design permits the addition of a range of accessories, including digital image capture and image analysis software.



Lens options ...

Optical data	
Brightfield (BF) objective lenses	Working distance
EPI infinity plan achromat 5x/NA 0.12 (BF)	0.61" (15.5mm)
EPI infinity plan achromat 10x/NA 0.25 (BF)	0.39" (10.10mm)
EPI infinity plan achromat 20x/NA 0.40 (BF)	0.23" (5.8mm)
EPI infinity plan achromat 50x/NA 0.75 (BF)	0.01" (0.32mm)
EPI infinity plan achromat 100x/NA 0.80 (BF)	0.08" (2.0mm)
Brightfield / darkfield (BF/DF) objective lenses	Working distance
EPI infinity plan achromat 5x/NA 0.12 (BF/DF)	0.47" (12.0mm)
EPI infinity plan achromat 10x/NA 0.25 (BF/DF)	0.39" (10.0mm)
EPI infinity plan achromat 20x/NA 0.40 (BF/DF)	0.17" (4.3mm)
EPI infinity plan achromat 40x/NA 0.60 (BF/DF)	0.11" (2.9mm)
EPI infinity plan achromat 50x/NA 0.75 (BF/DF)	0.01" (0.32mm)
EPI infinity plan achromat 100x/NA 0.80 (BF/DF)	0.08" (2.0mm)



Digital image capture

C-mount adaptor with a range of digital image capture and reporting options.

● Optional extra

Ergonomic observation

30° inclined trinocular viewing head for maximum comfort

Objective lenses

Illumination

Option of transmitted illumination, with aperture and field diaphragm.



TIM5

Shown with digital image capture and brightfield / darkfield objectives.

Microscope body	
Optical system	Infinity corrected optical system
Viewing head	30° inclined Siedentopf trinocular viewing head, 360° rotatable
Focus	Coaxial bilateral coarse and fine adjustment with adjustable limit stop
	Sensitivity and graduation of fine focus: 0.001mm
	Torque adjustment for coarse focus control
	Built-in transformer and illumination intensity control
Mechanical stage	7.32" x 5.43" (186 x 138mm) double layer mechanical stage with low positioned right hand X,Y controls for enhanced ergonomic comfort
	2.95" x 1.97" / 75 x 50mm (X,Y) movement
Max. specimen height	50mm (with incident only illumination)
	30mm (with incident / transmitted illumination)
Nosepiece	Quintuple reversed revolving nosepiece BF/DF (reducing collars for BF objectives)
Weight	28.66 lbs (13 kg)

Eyepieces	
Eyepieces	Wide field 10x/0.87" (22mm), graticule can be inserted
Eyepiece tubes	Interpupillary adjustment 1.89" - 2.95" (48-75mm) Dioptre adjustment +/-5

Illumination	
Illuminator	Koehler illumination with adjustable field and aperture diaphragms, BF/DF beam splitter
	24V/100W halogen lamp house
Transmitted illumination	Koehler illumination
	24V/100W halogen lamp house
	Includes swing-out achromatic condenser N.A. 0.9/0.25

Standard accessories ...

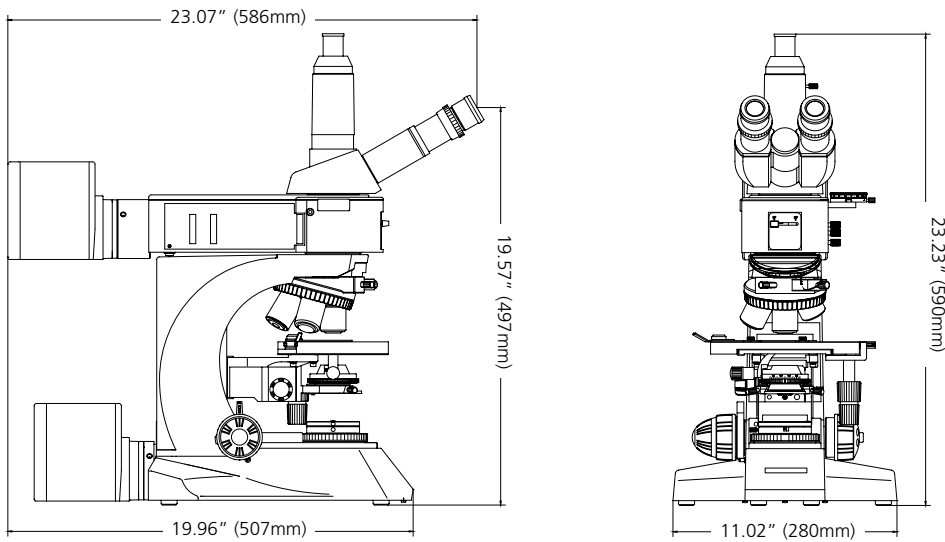
TIM5 comes with a number of accessories as standard including:

- Filters (incident light): blue; green; yellow
- Filters (transmitted light): blue
- Neutral density filters: ND25, ND6
- Polarizing kit: Rotatable analyzer 360°
- Camera C-mount adaptor, 0.5x
- Graticule retaining ring



Options
Camera C-mount adaptor, 1.0x
Range of digital cameras (Contact us for details)
Observation & analysis software (Contact us for details)

Dimensions



For more information...

Vision Engineering has a network of offices and technical distributors around the world. For more information, please contact your Vision Engineering branch, local authorised distributor, or visit our website.

Distributor



PT. SKT International

Komplek Ruko Roxy Block A No. 26
 Cibatu, Lippo Cikarang - Bekasi 17530 - Indonesia
 Phone : 021-8990 8669
 Email : info@sktisolution.com
 Website : www.sktisolution.com

Vision Engineering Ltd.
(Manufacturing)
 Send Road, Send,
 Woking, Surrey, GU23 7ER, England
 Tel: +44 (0) 1483 248300
 Email: generalinfo@visioneng.com

Vision Engineering Ltd.
(Commercial)
 Monument House, Monument Way West,
 Woking, Surrey, GU21 5EN, England
 Tel: +44 (0) 1483 248300
 Email: generalinfo@visioneng.com

Vision Engineering Inc.
(Manufacturing & Commercial)
 570 Danbury Road,
 New Milford, CT 06776 USA
 Tel: +1 (860) 355 3776
 Email: info@visioneng.com

Vision Engineering Inc.
(West Coast Commercial)
 745 West Taft Avenue,
 Orange, CA 92865 USA
 Tel: +1 (714) 974 6966
 Email: info@visioneng.com

Vision Engineering Ltd.
(Central Europe)
 Anton-Pendele-Str. 3,
 82275 Emmering, Deutschland
 Tel: +49 (0) 8141 40167-0
 Email: info@visioneng.de

Vision Engineering Ltd.
(France)
 ZAC de la Tremblaie, Av. de la Tremblaie
 91220 Le Plessis Paté, France
 Tel: +33 (0) 160 76 60 00
 Email: info@visioneng.fr

Vision Engineering Ltd.
(Italia)
 Via Cesare Cantù, 9
 20092 Cinisello Balsamo MI, Italia
 Tel: +39 02 6129 3518
 Email: info@visioneng.it

Vision Engineering
(Brasil)
 Email: info@visioneng.com.br

Nippon Vision Engineering
(Japan)
 272-2 Saedo-cho, Tsuduki-ku,
 Yokohama-shi, 224-0054, Japan
 Tel: +81 (0) 45 935 1117
 Email: info@visioneng.jp

Vision Engineering
(China)
 111, International Ocean Building,
 720 Pudong Avenue, Shanghai,
 200120, P.R. China
 Tel: +86 (0) 21 5036 7556
 Email: info@visioneng.com.cn

Vision Engineering
(S.E. Asia)
 Tel: +603 80700908
 Email: info@visioneng.asia

Vision Engineering
(India)
 Email: info@visioneng.co.in



FM 557119

Vision Engineering Inc. has been certified for the quality management system ISO 9001:2008.

TIM5_enUS1.1/1114

Disclaimer – Vision Engineering Ltd. has a policy of continuous development and reserves the right to change or update, without notice, the design, materials or specification of any products, the information contained within this brochure/datasheet and to discontinue production or distribution of any of the products described.

Visit our multi-lingual website:
www.visioneng.com